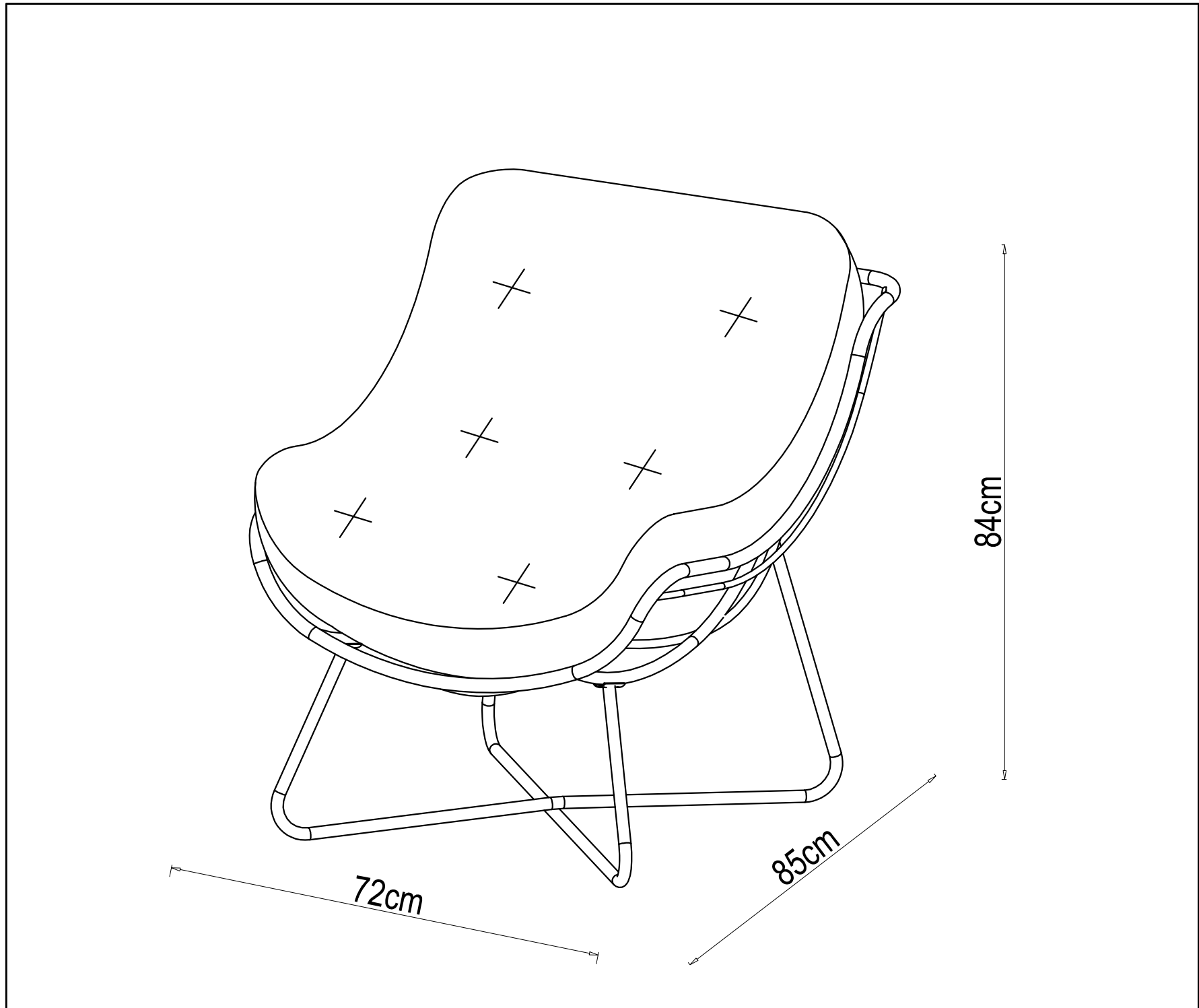


ASSEMBLY INSTRUCTION

KENDARI OUTDOOR LOUNGE CHAIR AND FOOTSTOOL

Amart

ITEM CODE - 75212

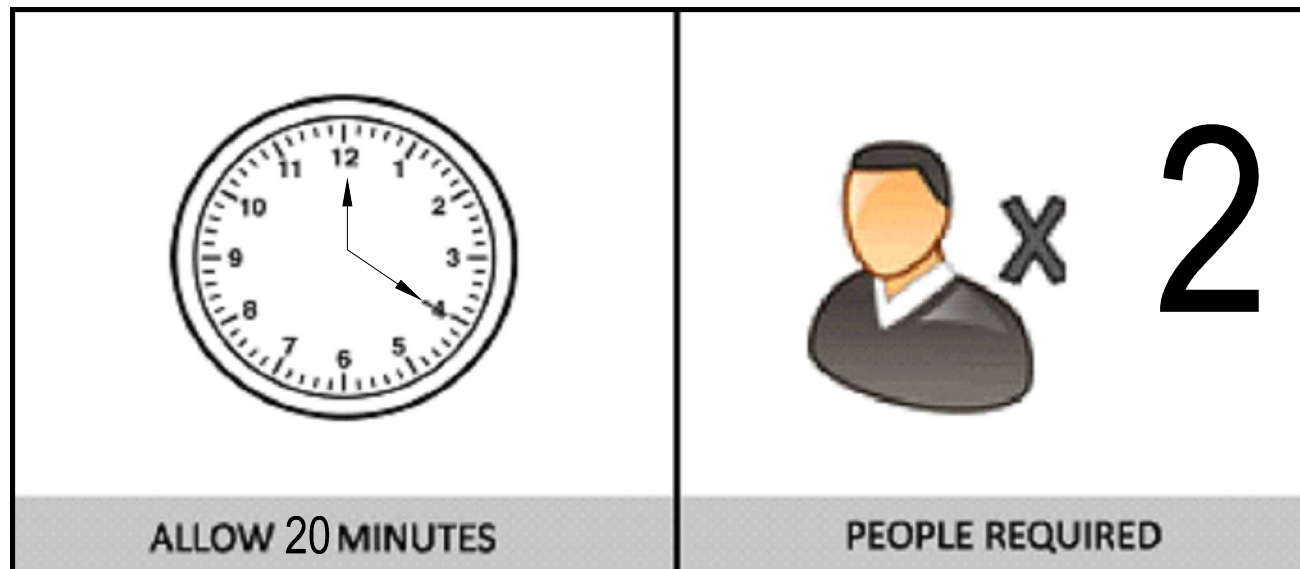


Imported by Amart Furniture Pty Ltd, Qld, Brisbane Australia .
For any assistance with assembly or for missing parts please phone
Amart Furniture, Customer Service Freecall 1800 351 084

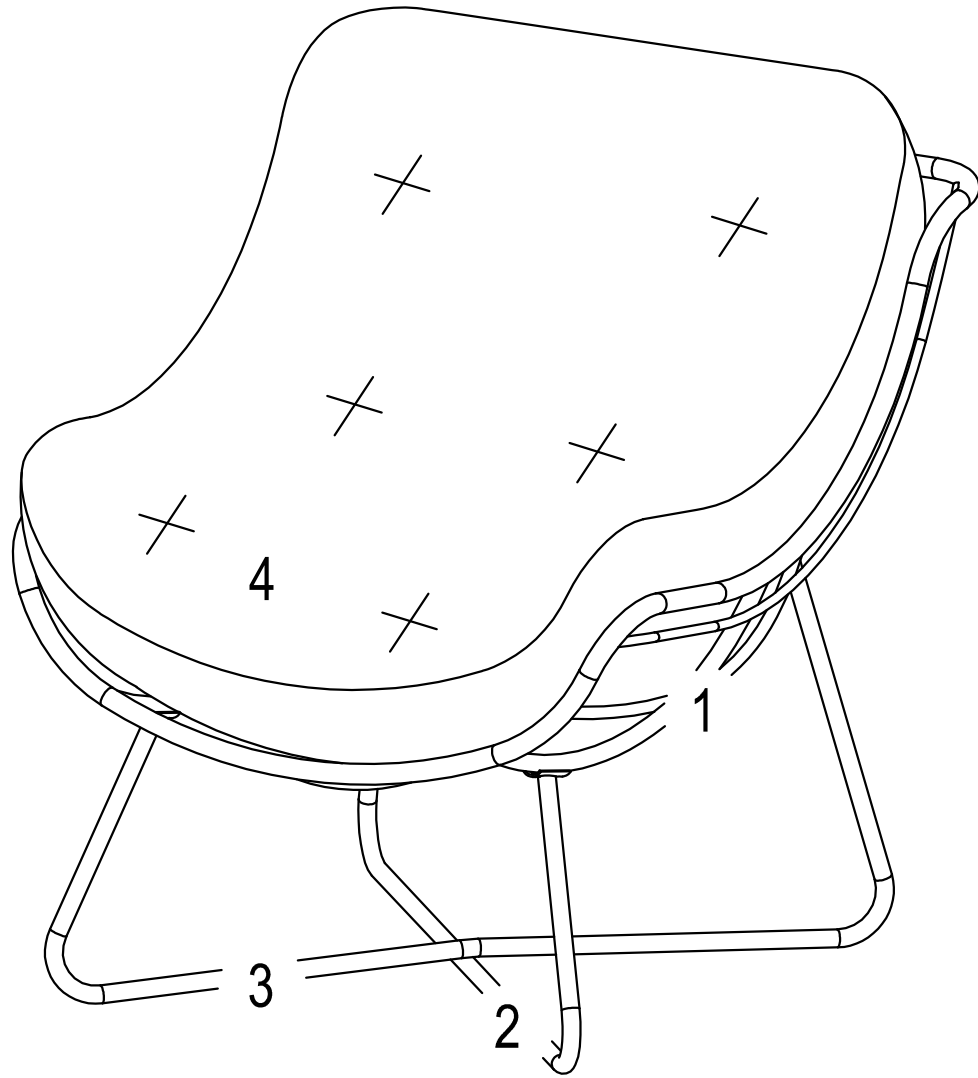
PRE-ASSEMBLY PREPARATION

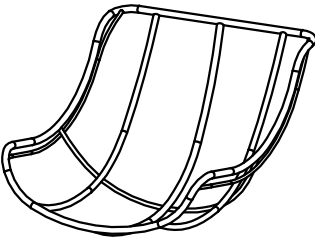

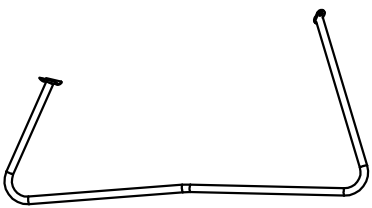
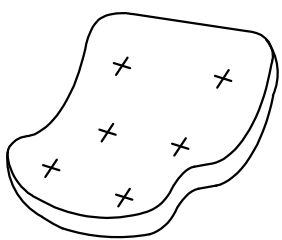
Before you start:

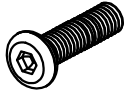

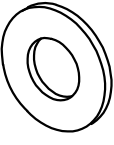
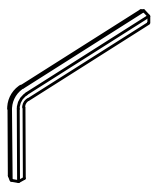
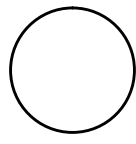
1. Choose a clean, level, spacious assembly area. Avoid hard surfaces that may damage the product.
2. Take care when lifting. Product should be assembled as near as possible to the point of use.
3. Ensure that you have all required contents for complete assembly.
4. Always read the assembly instructions carefully before beginning assembly.
5. Keep all hardware parts and packaging out of reach of small children.
6. Do not over tighten the screws and bolts as this may damage the threads.



PARTS LIST

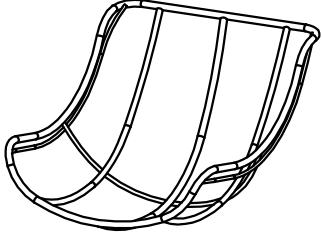
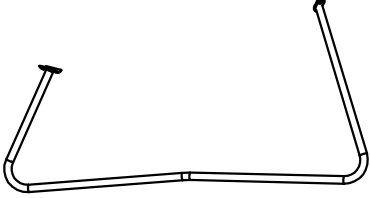

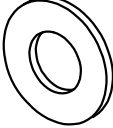
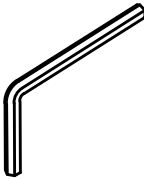


<p>1. Seat</p>  <p>1PC</p>	<p>2. Leg(A)</p>  <p>1PC</p>
<p>3. Leg(B)</p>  <p>1PC</p>	<p>4. Cushion</p>  <p>1PC</p>

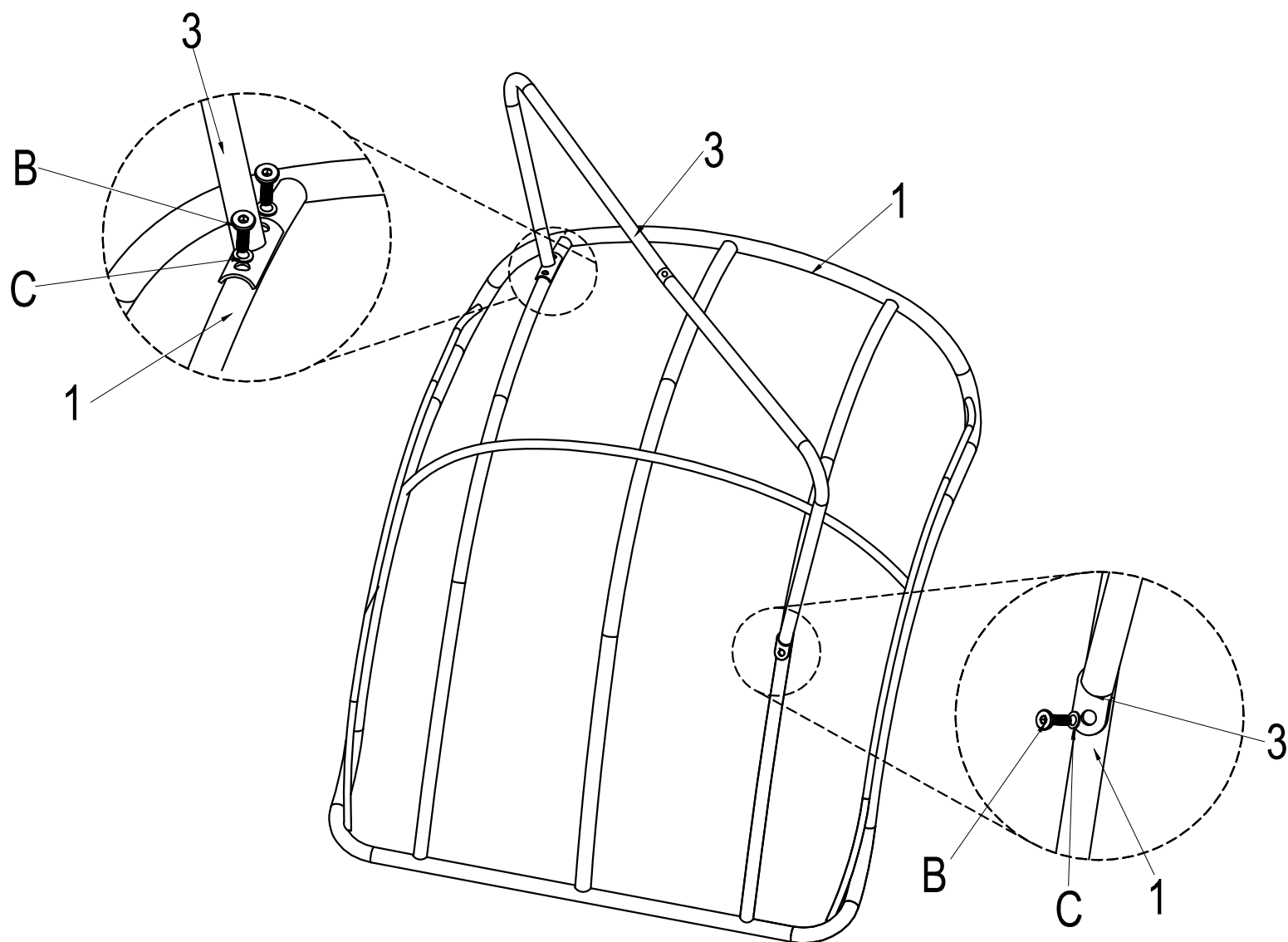
<p>A. Bolt</p>  <p>M6*35*1PC</p>	<p>B. Bolt</p>  <p>M6*15*6PCS</p>	<p>C. Washer</p>  <p>M6*7PCS</p>	<p>D. Allen Key</p>  <p>M6*1PC</p>
<p>E. Protective Pad</p>  <p>4PCS</p>			

Step 1:

ITEMS REQUIRED



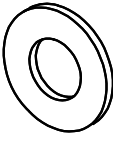
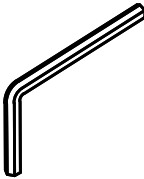
1. Seat 1PC 	3. Leg(B) 1PC 	
B. Bolt M6*15*3PCS 	C. Washer M6*3PCS 	D. Allen Key M6*1PC 

- Attach leg(B) (3) to seat (1) using bolt (B) with washer (C) .
- Insert all bolts before fully tightening .
- Tighten with allen key (D) .

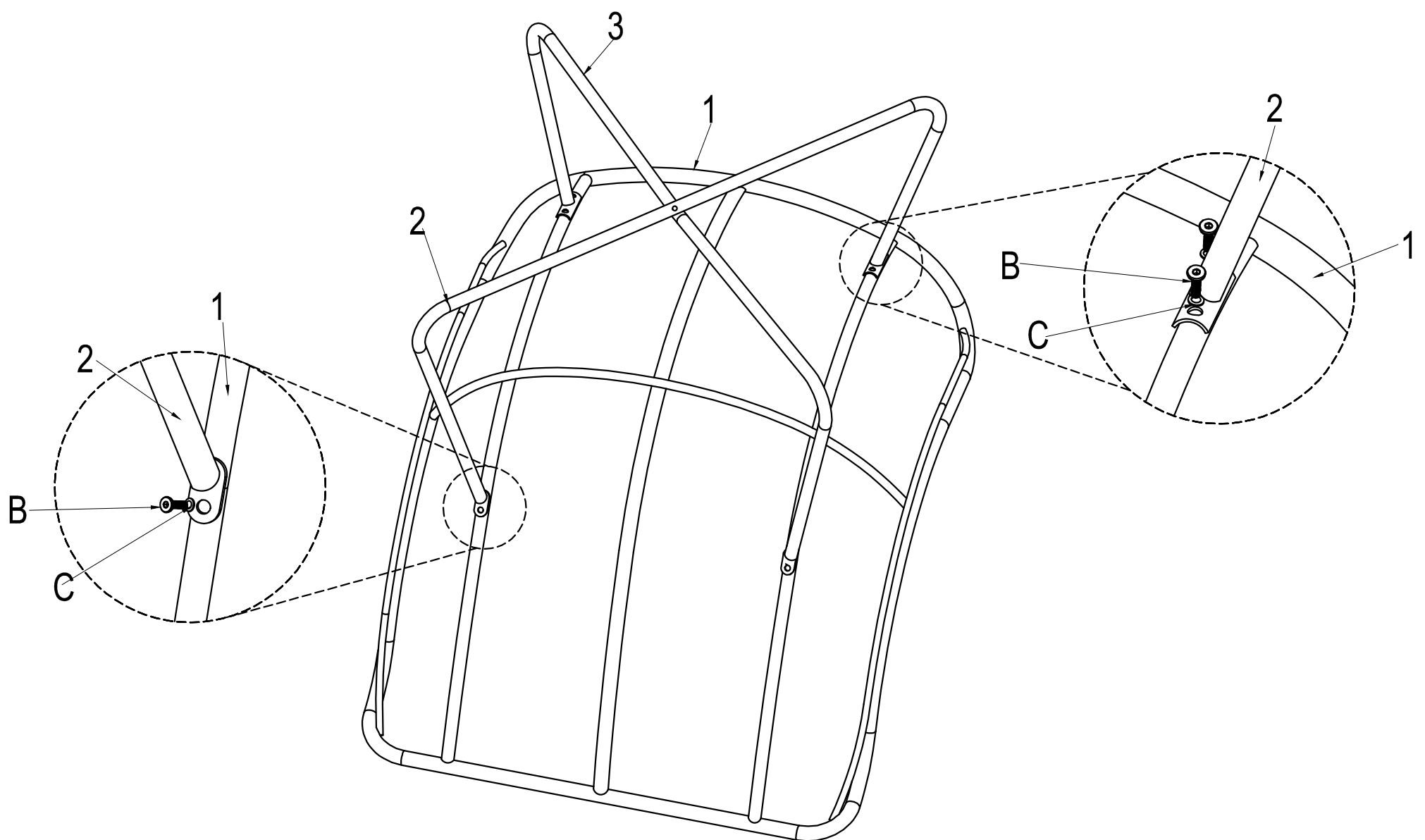


Step 2:

ITEMS REQUIRED


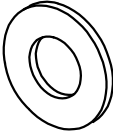
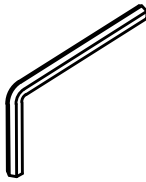
2. Leg(A) 1PC 		
B. Bolt  M6*15*3PCS	C. Washer  M6*3PCS	D. Allen Key  M6*1PC

- Attach leg(A) (2) to seat (1) using bolt (B) with washer (C) .
- Insert all bolts before fully tightening .
- Tighten with allen key (D) .

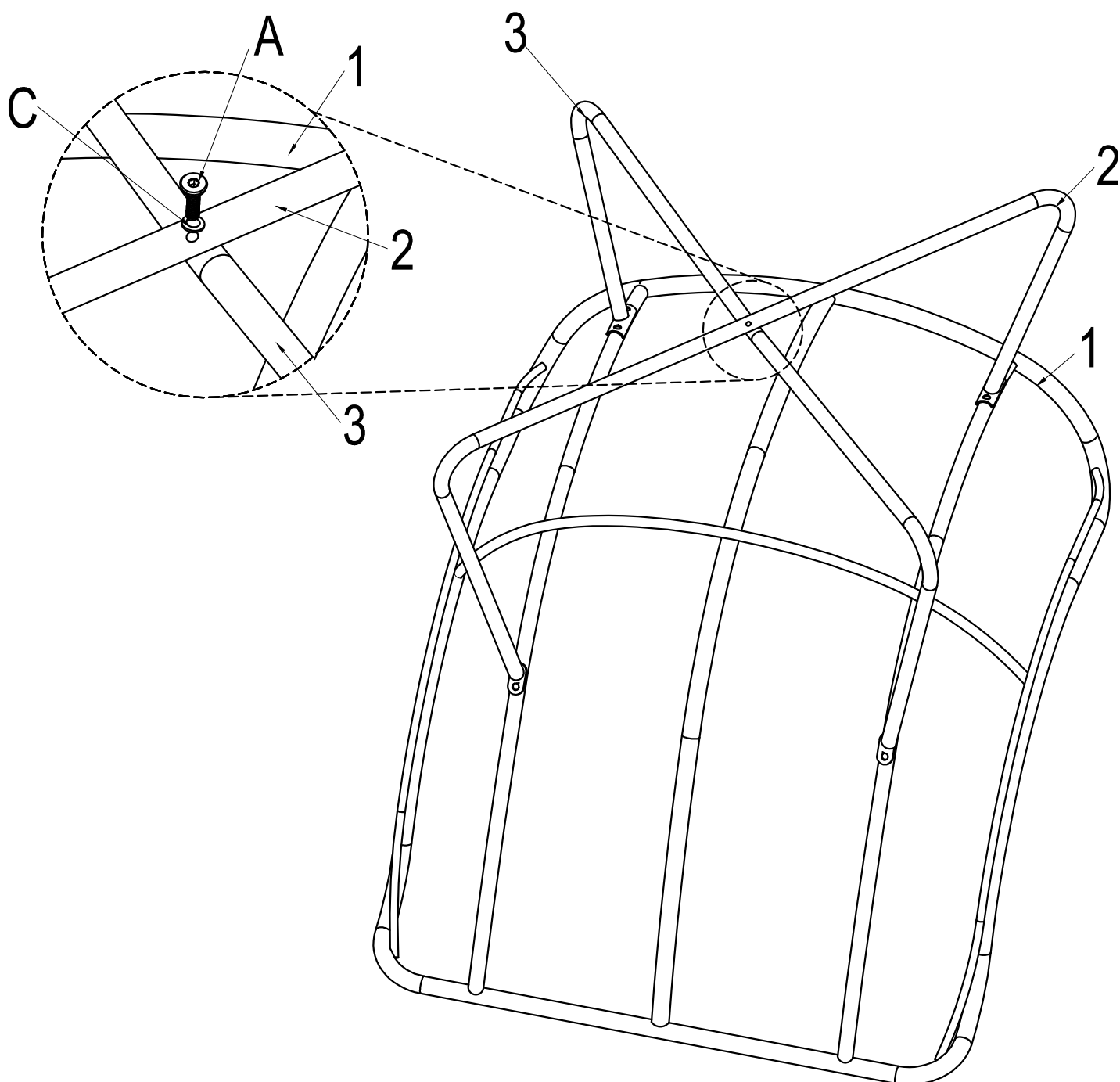


Step 3:

ITEMS REQUIRED

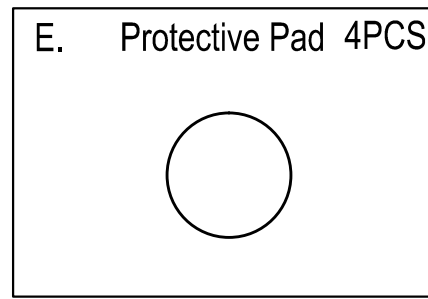
A. Bolt  M6*35*1PC	C. Washer  M6*1PC	D. Allen Key  M6*1PC
---	---	--

- Attach leg(A) (2) to leg(B) (3) using bolt (A) with washer (C) .
- Insert all bolts before fully tightening .
- Tighten with allen key (D) .

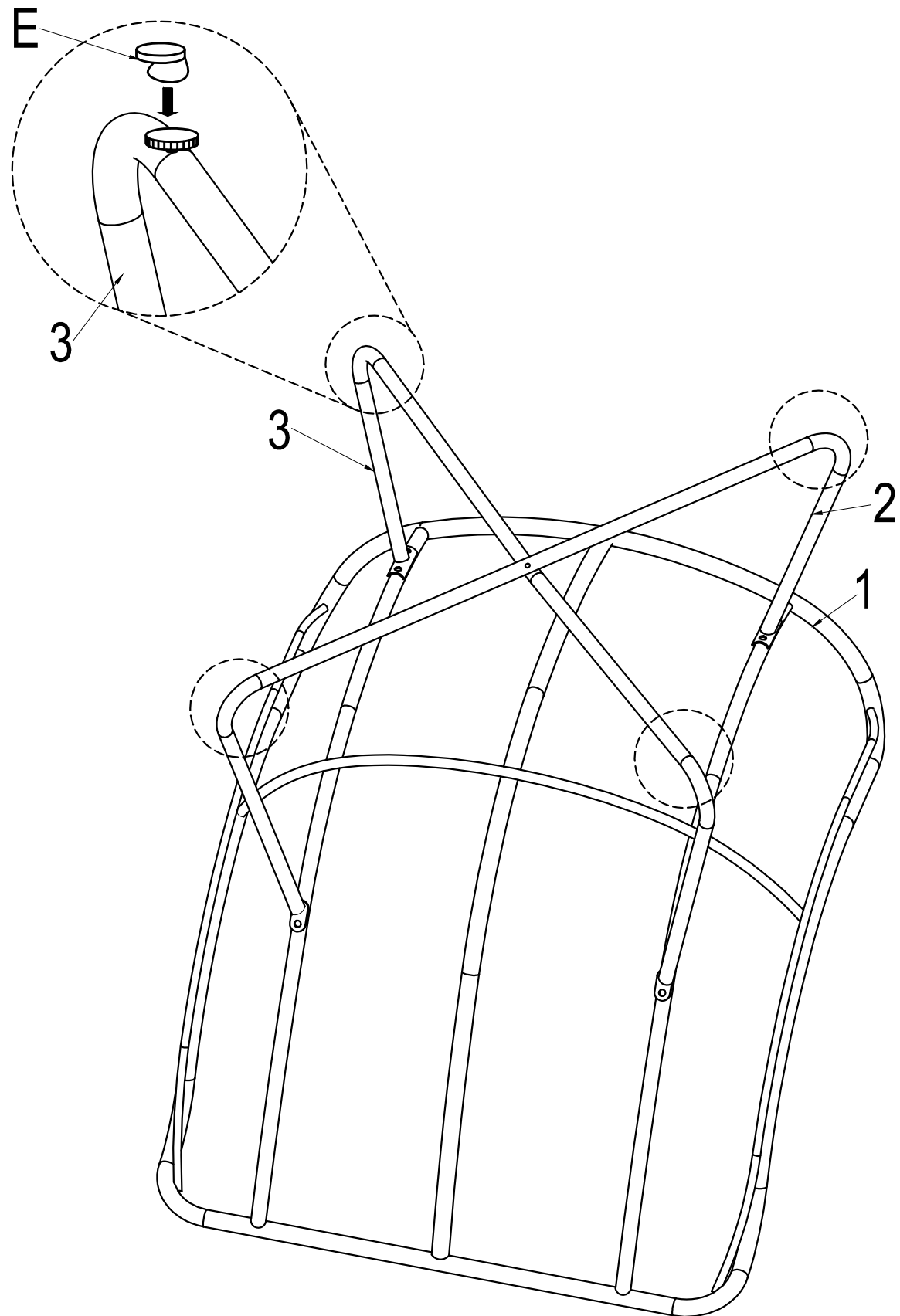


Step 4:

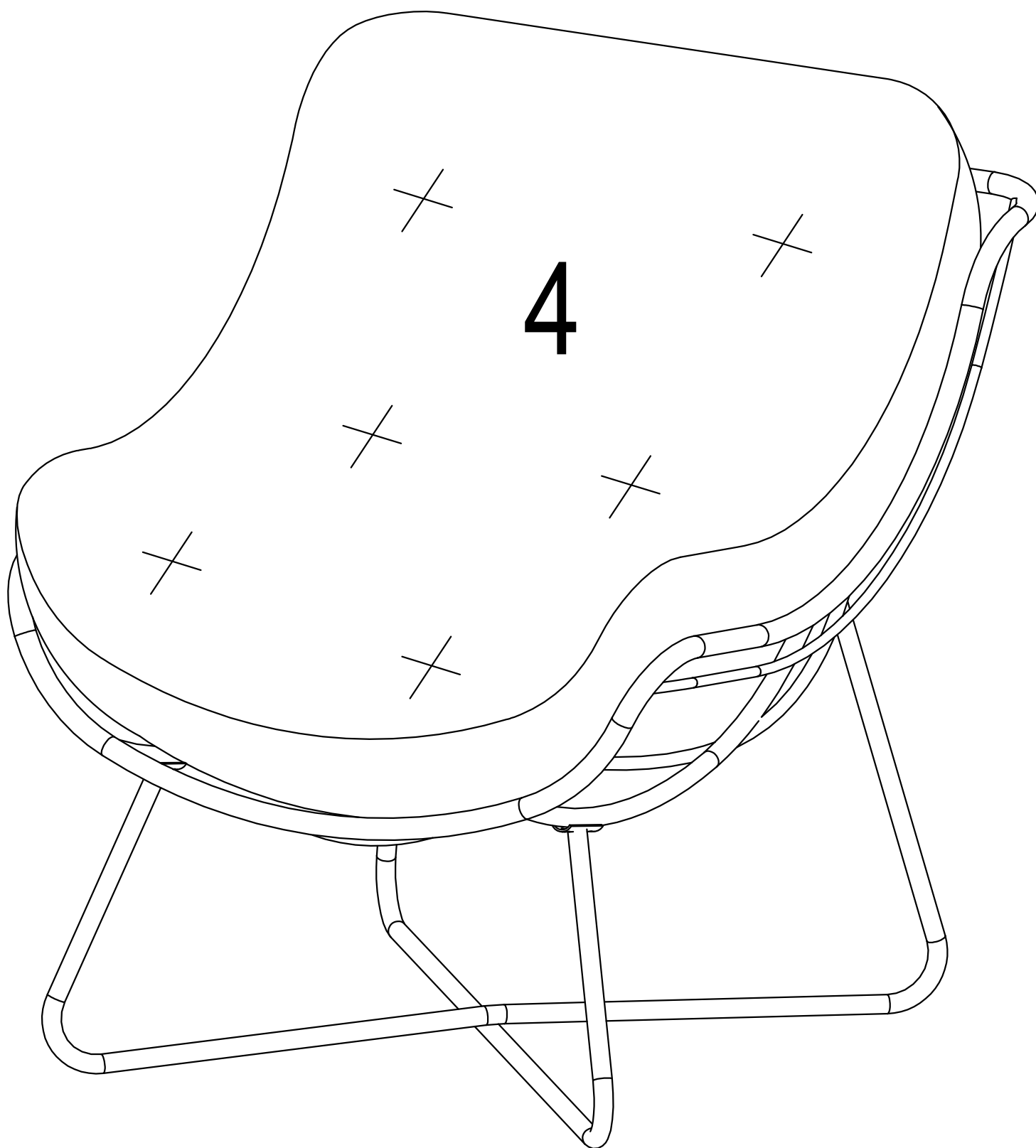
ITEMS REQUIRED

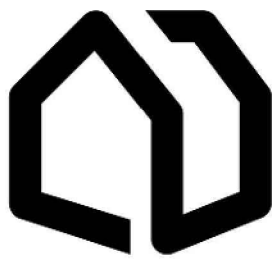


- Attach the protective pad (E) under the adjusting knob.



ASSEMBLY IS COMPLETE



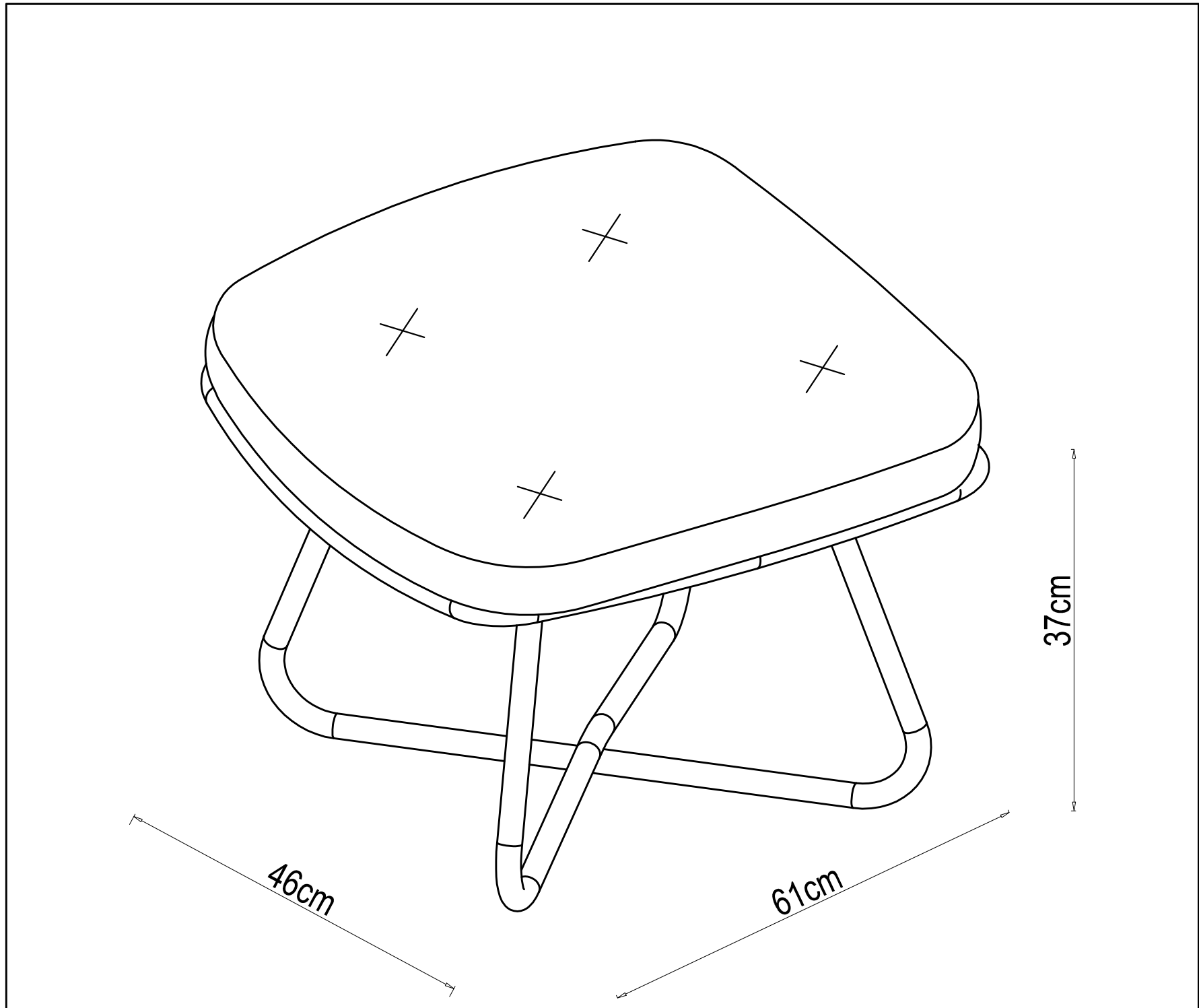


ASSEMBLY INSTRUCTION

KENDARI OUTDOOR LOUNGE CHAIR AND FOOTSTOOL

Amart

ITEM CODE - 75212

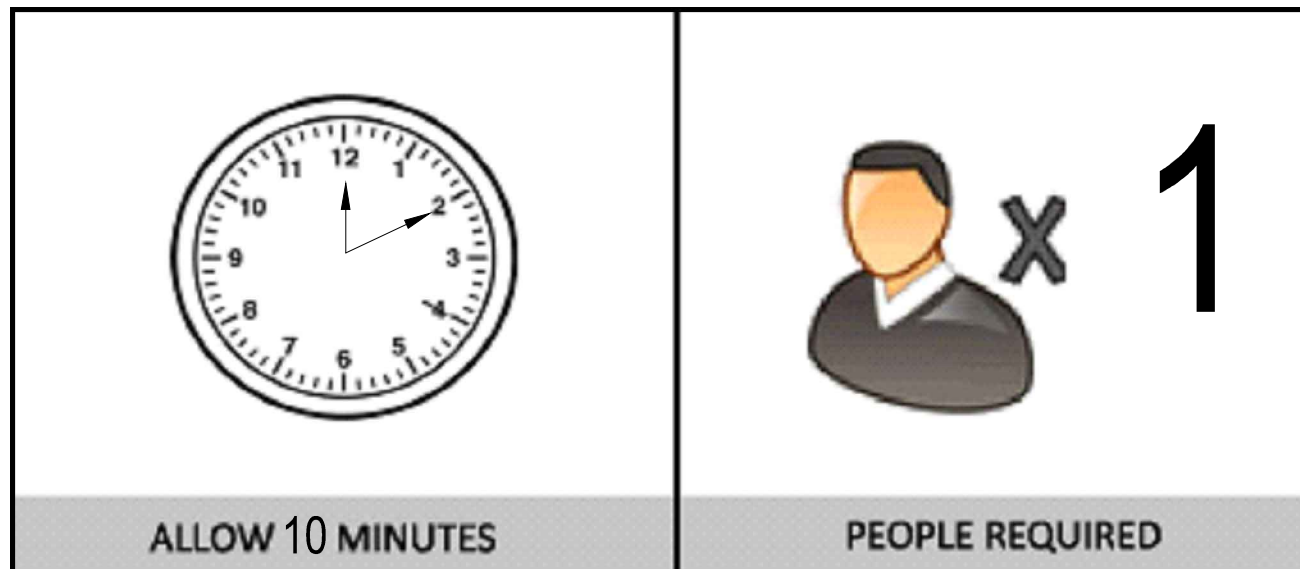


Imported by Amart Furniture Pty Ltd, Qld, Brisbane Australia .
For any assistance with assembly or for missing parts please phone
Amart Furniture, Customer Service Freecall 1800 351 084

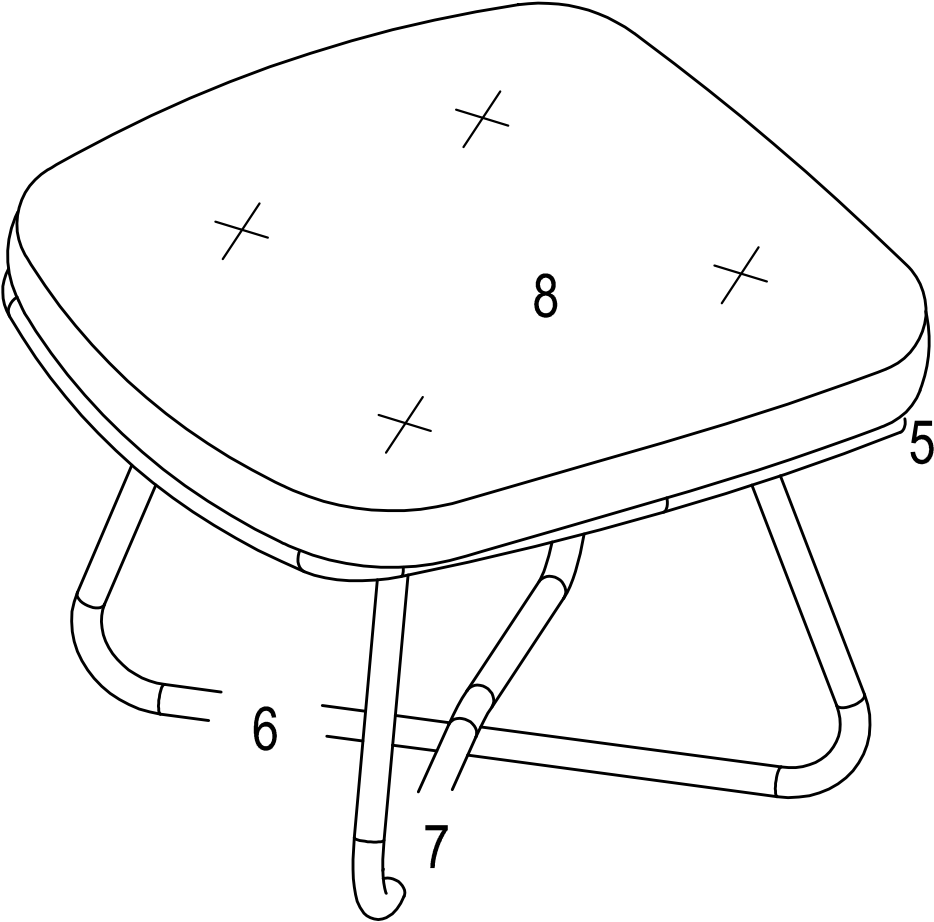
PRE-ASSEMBLY PREPARATION

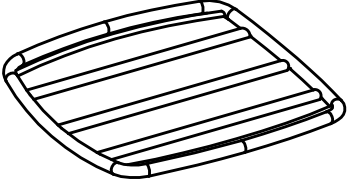

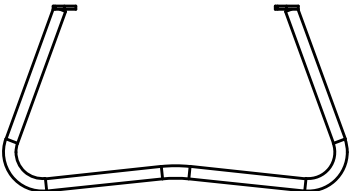
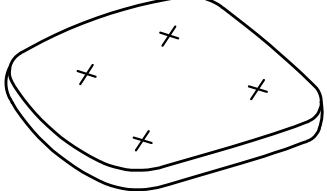
Before you start:



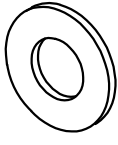
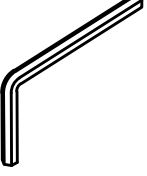
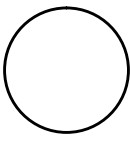
1. Choose a clean, level, spacious assembly area. Avoid hard surfaces that may damage the product.
2. Take care when lifting. Product should be assembled as near as possible to the point of use.
3. Ensure that you have all required contents for complete assembly.
4. Always read the assembly instructions carefully before beginning assembly.
5. Keep all hardware parts and packaging out of reach of small children.
6. Do not over tighten the screws and bolts as this may damage the threads.



PARTS LIST

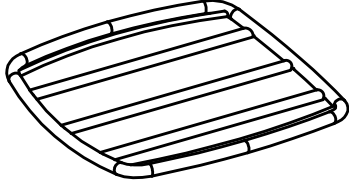
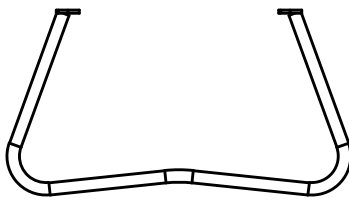
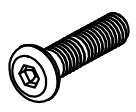
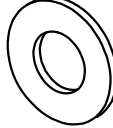
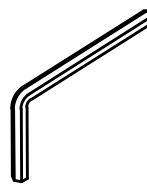


<p>5. Seat</p>  <p>1PC</p>	<p>6. Leg</p>  <p>1PC</p>
<p>7. Leg</p>  <p>1PC</p>	<p>8. Cushion</p>  <p>1PC</p>

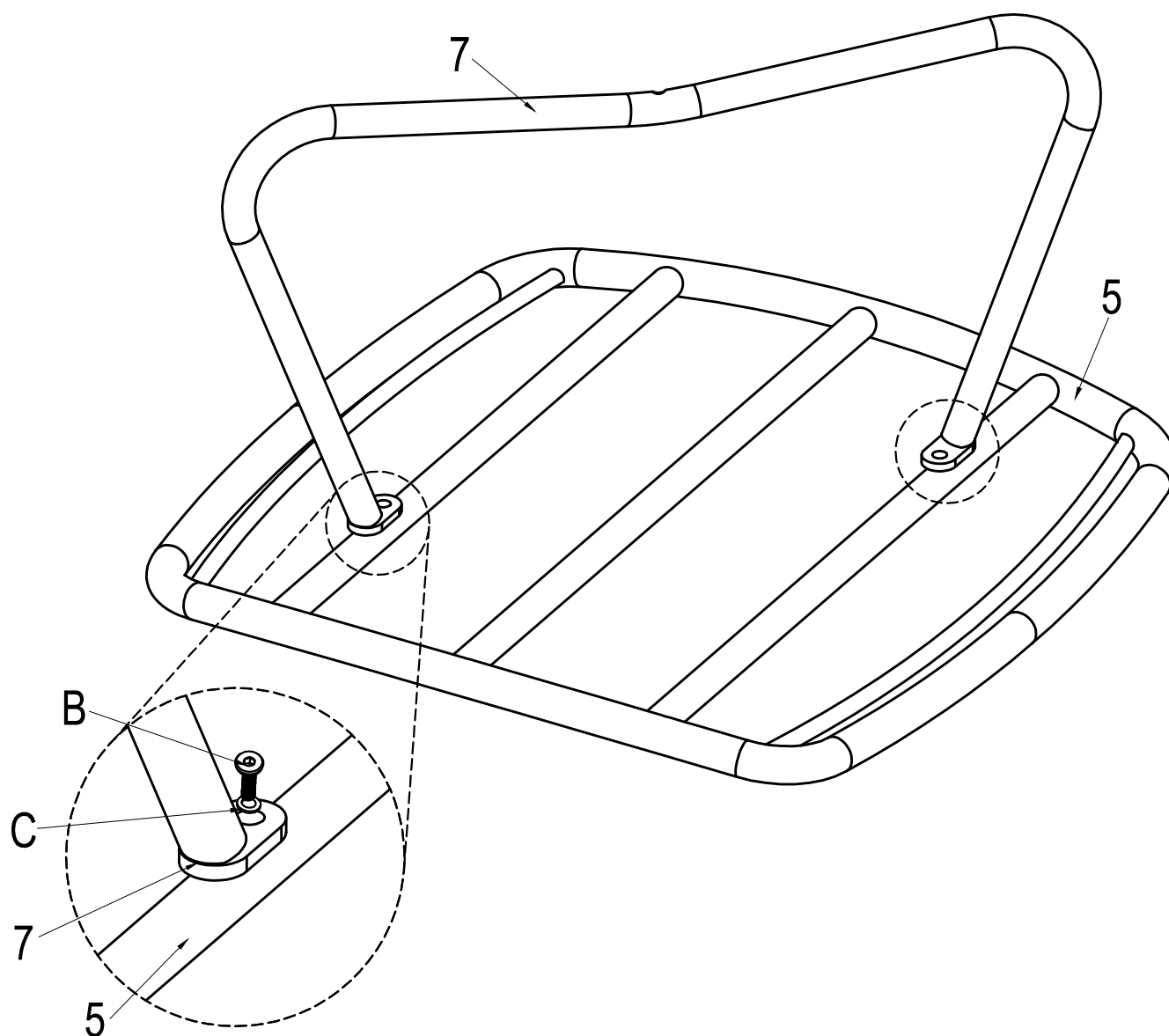
<p>A. Bolt</p>  <p>M6*35*1PC</p>	<p>B. Bolt</p>  <p>M6*15*4PCS</p>	<p>C. Washer</p>  <p>M6*5PCS</p>	<p>D. Allen Key</p>  <p>M6*1PC</p>
<p>E. Protective Pad</p>  <p>4PCS</p>			

Step 1:

ITEMS REQUIRED



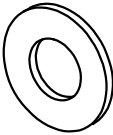
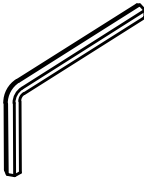
5. Seat 1PC 	7. Leg 1PC 	
B. Bolt  M6*15*2PCS	C. Washer  M6*2PCS	D. Allen Key  M6*1PC

- Attach leg (7) to seat (5) using bolt (B) with washer (C) .
- Insert all bolts before fully tightening .
- Tighten with allen key (D) .

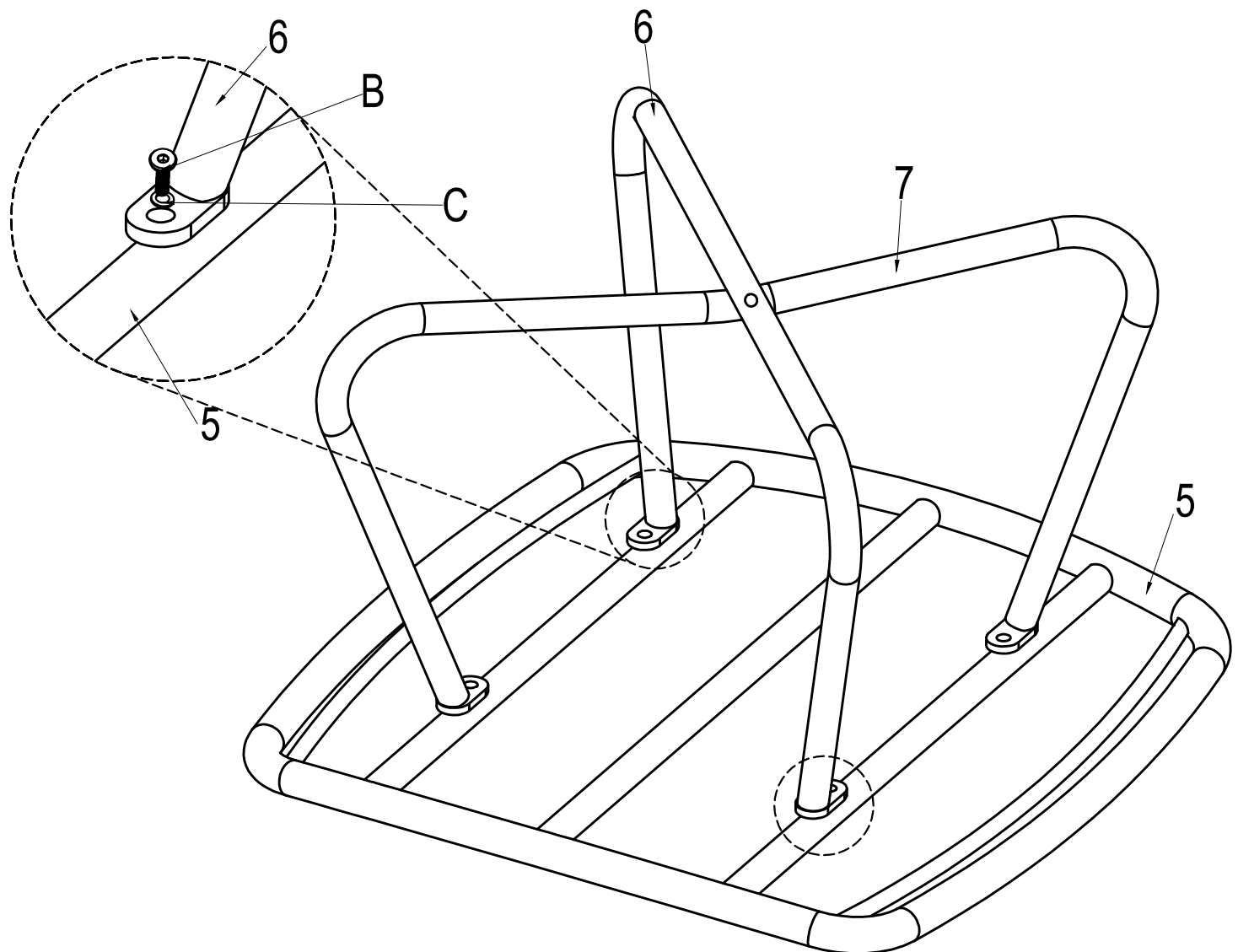


Step 2:

ITEMS REQUIRED


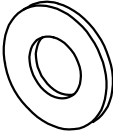
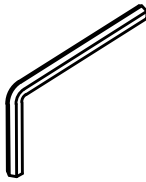
6. Leg 1PC 		
B. Bolt  M6*15*2PCS	C. Washer  M6*2PCS	D. Allen Key  M6*1PC

- Attach leg (6) to seat (5) using bolt (B) with washer (C) .
- Insert all bolts before fully tightening .
- Tighten with allen key (D) .

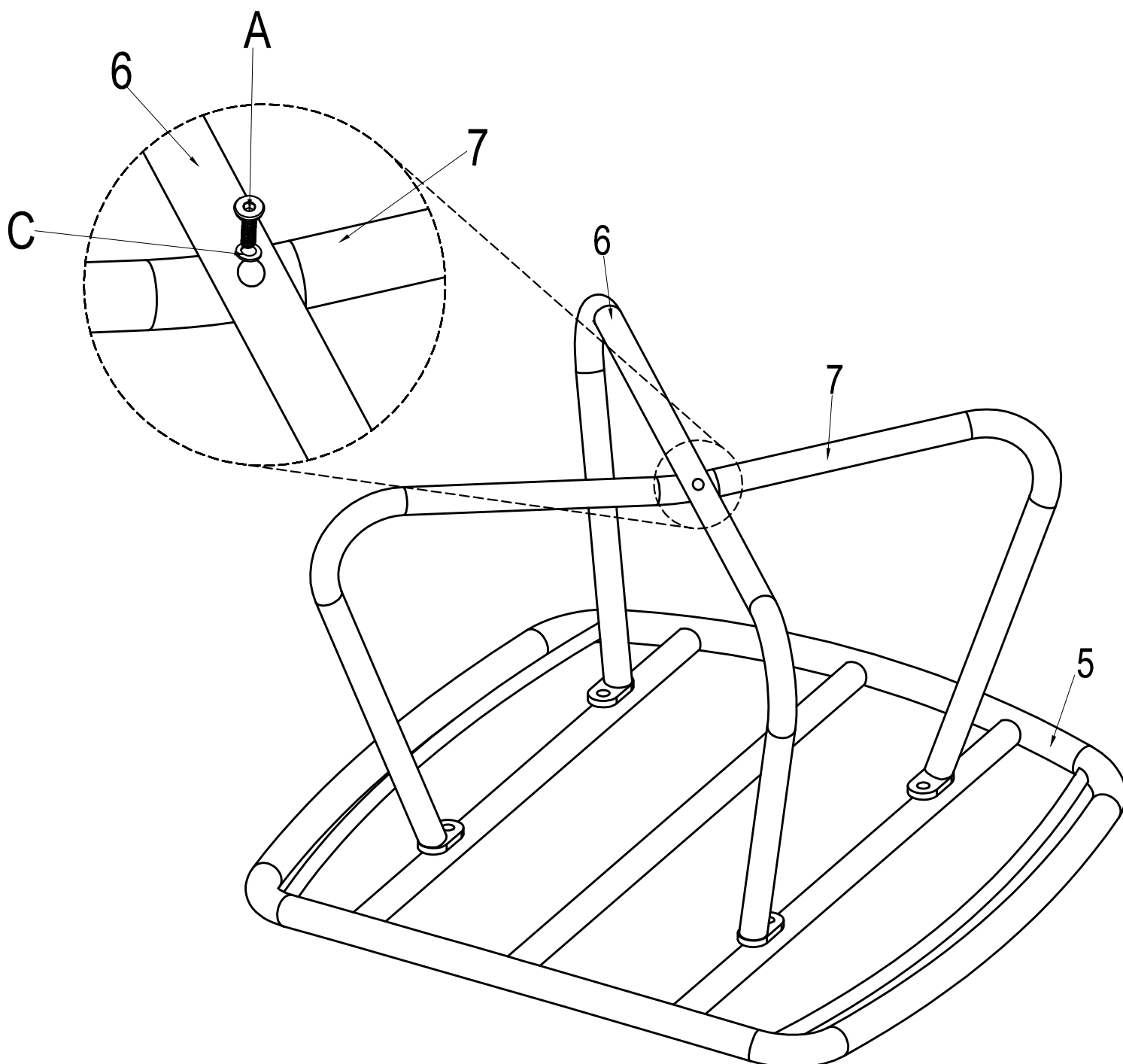


Step 3:

ITEMS REQUIRED

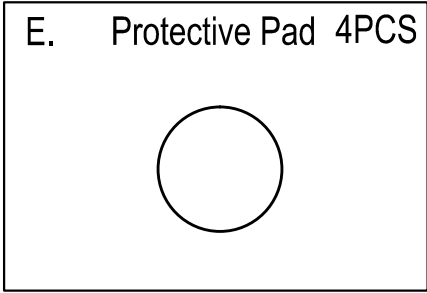
A. Bolt  M6*35*1PC	C. Washer  M6*1PC	D. Allen Key  M6*1PC
---	---	--

- Attach leg (6) to leg (7) using bolt (A) with washer (C) .
- Insert all bolts before fully tightening .
- Tighten with allen key (D) .

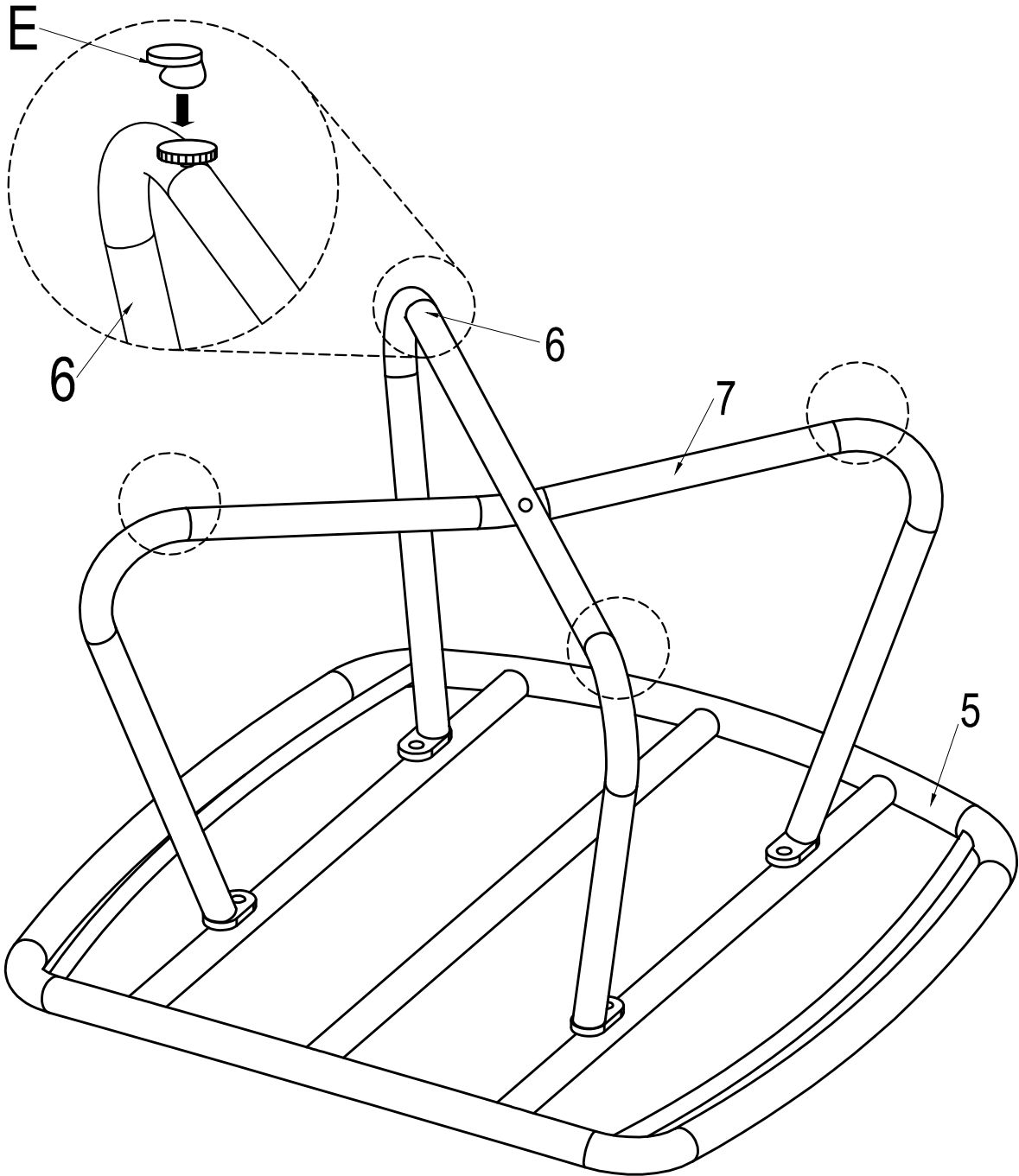


Step 4:

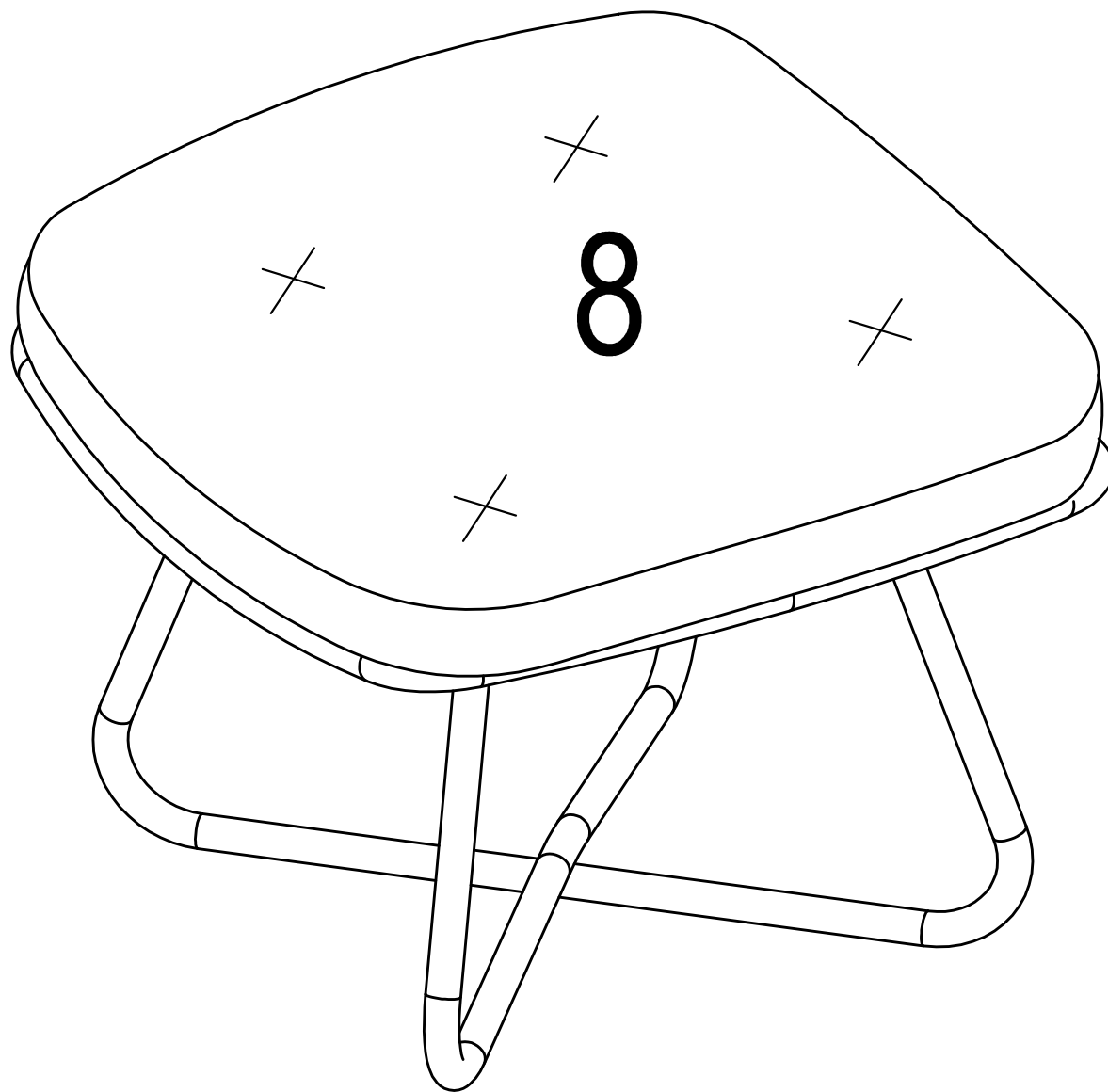
ITEMS REQUIRED



- Attach the protective pad (E) under the adjusting knob.



ASSEMBLY IS COMPLETE



Care and maintenance



Metal

- ☒ Item is designed for use outdoors. However we do not recommend leaving this product outside when not in use. To preserve the life of this item, avoid prolonged exposure to the elements & store inside/under cover or use an outdoor cover.
- ☒ DO NOT allow the furniture to be left in the rain or left wet for extended periods of time.
- ☒ Wipe furniture Dry immediately after it becoming wet.
- ☒ DO NOT clean your furniture down with any harsh solvents, abrasives or chemicals.
- ☒ To remove dirt and grime, simply rinse with fresh water or periodically clean using a sponge and mild detergent solution as required

Cushions

- ☒ Direct exposure to the Sun's harmful UV rays is likely to cause rapid colour fading to fabrics. For best results we recommend avoiding exposure to direct sunlight
- ☒ To ensure product longevity it is recommended outdoor products are not left permanently exposed to the elements
- ☒ Spot clean using mild detergent and damp cloth. Dry flat in shade
- ☒ Do not unzip
- ☒ Do not put in washing machine
- ☒ Do not tumble dry
- ☒ Do not bleach
- ☒ Do not dry clean
- ☒ Cool iron only

Outdoor Wicker Furniture Care Instructions:

- **What is Wicker?**

- Wicker is a weaving technique used to create outdoor furniture, baskets, and decorative items. It involves weaving thin, flexible strands of materials like rattan, bamboo, or synthetic materials to form intricate patterns. Wicker furniture is known for its natural beauty and durability, making it a popular choice for outdoor spaces. In this guide, we'll share care instructions to help you maintain the appeal and longevity of your wicker outdoor furniture.

- **Regular Cleaning:**

1. **Frequency:** Every 4-6 weeks, clean your outdoor wicker furniture to maintain its appearance and longevity.
2. **Cleaning Solution:** Use a mild detergent mixed with warm water for cleaning.
3. **Washing:** Gently wash the furniture with the detergent solution, paying attention to intricate woven areas. Use a soft cloth or a soft brush to remove dirt and debris.
4. **Rinse:** Thoroughly rinse the furniture with clean water to remove any soap residue.
5. **Drying:** Ensure the furniture is dried thoroughly after cleaning to prevent oxidization. Let it air dry completely in a well-ventilated area, preferably in indirect sunlight.
6. **Dust Regularly:** Dust your furniture regularly with a soft brush or vacuum cleaner with a brush attachment to prevent dust buildup, which can damage the surface.

- **Seasonal Maintenance:**

1. **Sunlight Exposure:** Avoid leaving your furniture uncovered in direct sunlight for extended periods, as prolonged exposure can cause fading and material deterioration.
2. **Cushion Care:** Remove cushions from the furniture and store them in a covered or undercover area when the furniture is not in use. This helps protect the cushions from the elements.
3. **Weather Protection:** Amart always recommends the use of an outdoor protective cove for your outdoor wicker furniture when not in use. Ensure the covers are clean and completely dry before use to prevent mold and mildew growth. Even when your wicker furniture is under a patio or awning, Amart still recommends the use of cover – to prevent fading or sun damage.

By following these instructions, you can maintain the longevity and appearance of your outdoor wicker furniture.